

8

7

6

5

4

3

2

1

F

F

E

E

D

D

C

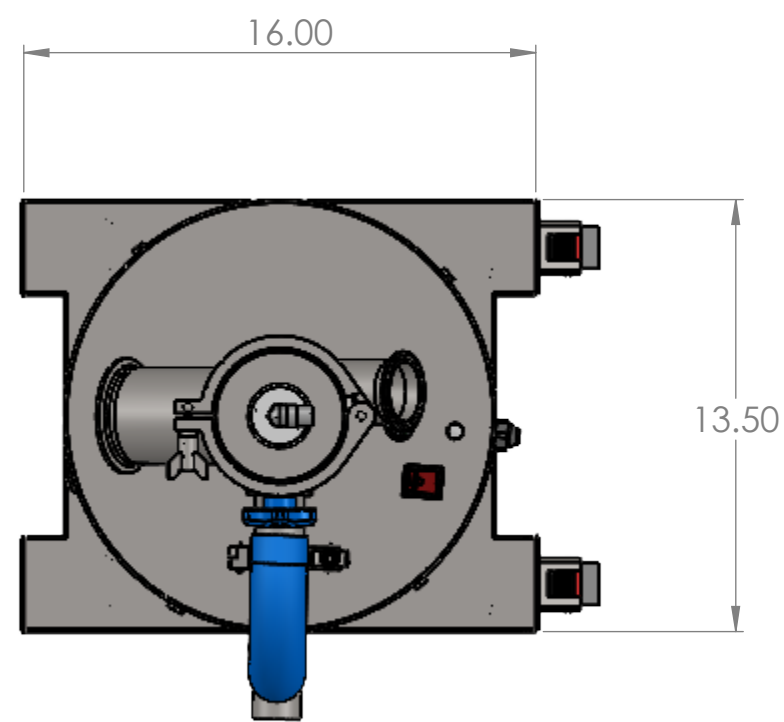
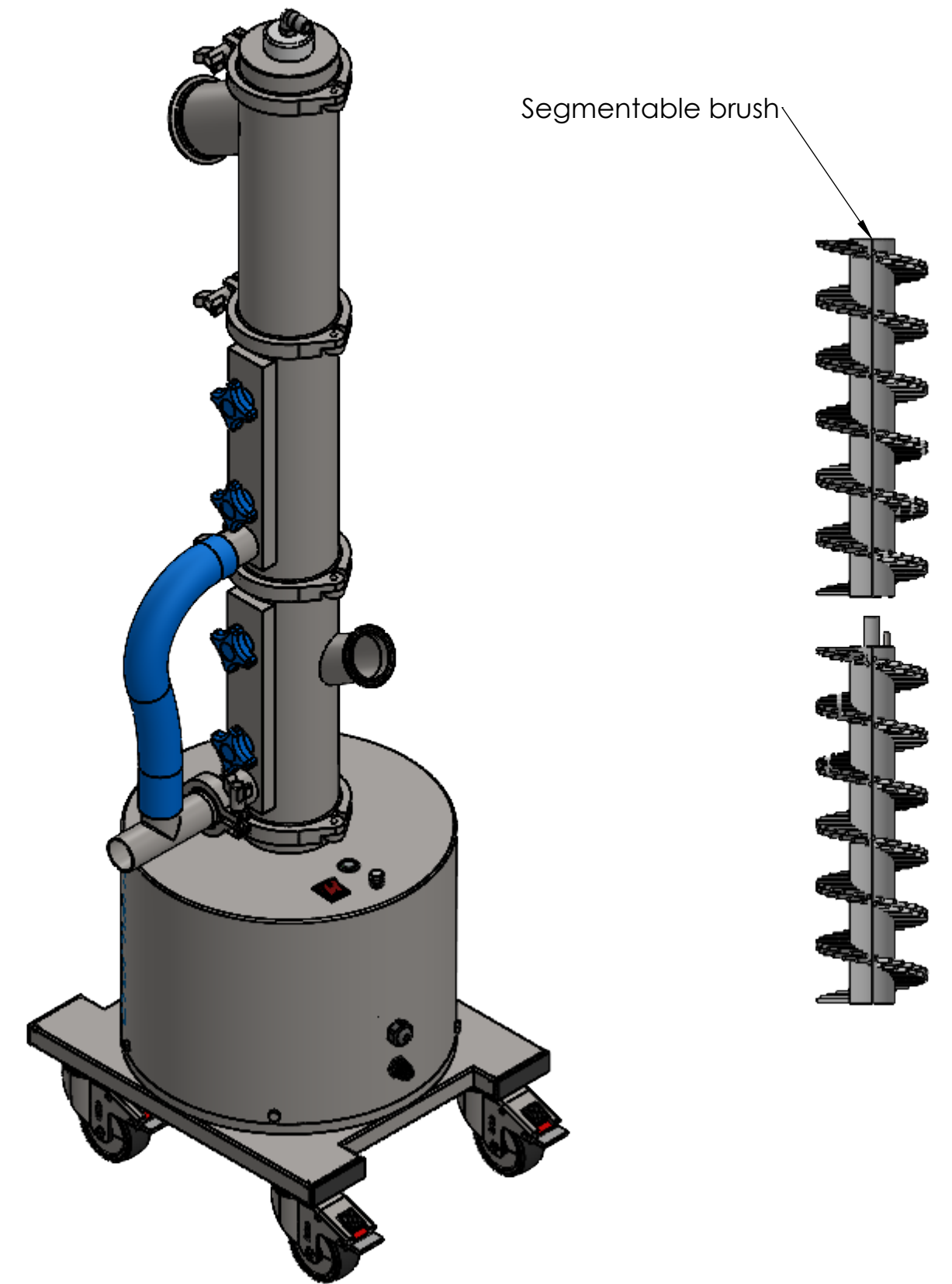
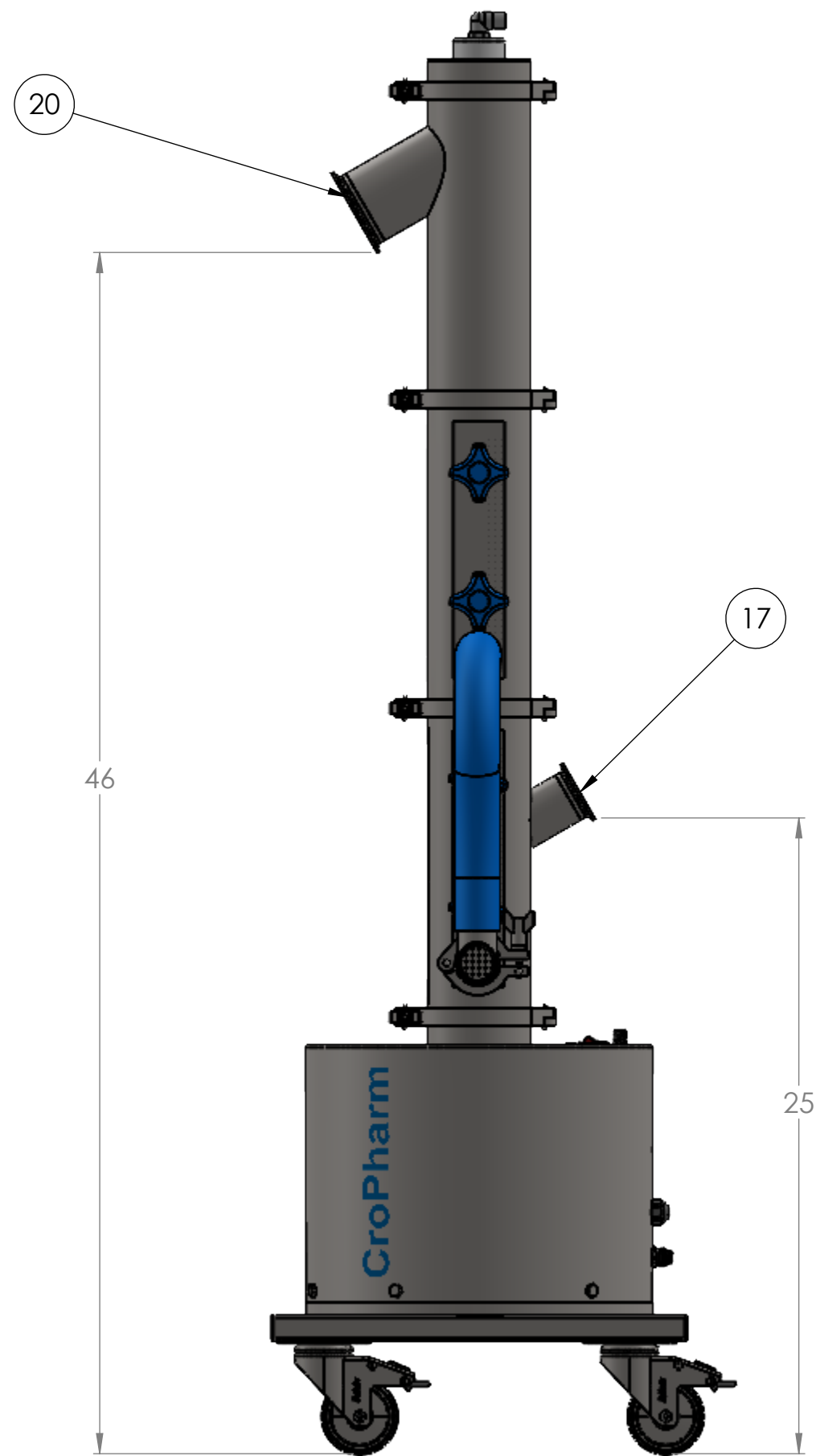
C

B

B

A

A



17	2" Standard Sanitary Fitting
20	3" Standard Sanitary Fitting

TITLE: VPS100 General Dimensions		Do Not Scale Drawing	
DWG. NO. VPS.100.1	Rev. -	Mach. model: VPS-100	DRAWN AMA
DATE: September 10 2020	Part no. N/A	CHECKED MJA	

UNLESS OTHERWISE SPECIFIED:
 DIMENSIONS ARE IN INCHES
 Product Contact Parts: SS316
 Machine Frame Parts: SS304
 Brush: Nylon 6.12

CroPharm
PROPRIETARY AND CONFIDENTIAL
 THE INFORMATION CONTAINED IN THIS DRAWING IS THE SOLE PROPERTY OF CroPharm INC. ANY REPRODUCTION IN PART OR AS A WHOLE WITHOUT THE WRITTEN PERMISSION OF CroPharm INC IS PROHIBITED.
www.cropharm.com

SHEET 1 OF 1	SIZE C	WEIGHT: NA
--------------	--------	------------

8

7

6

5

4

3

2

1