

8

7

6

5

4

3

2

1

F

F

E

E

D

D

C

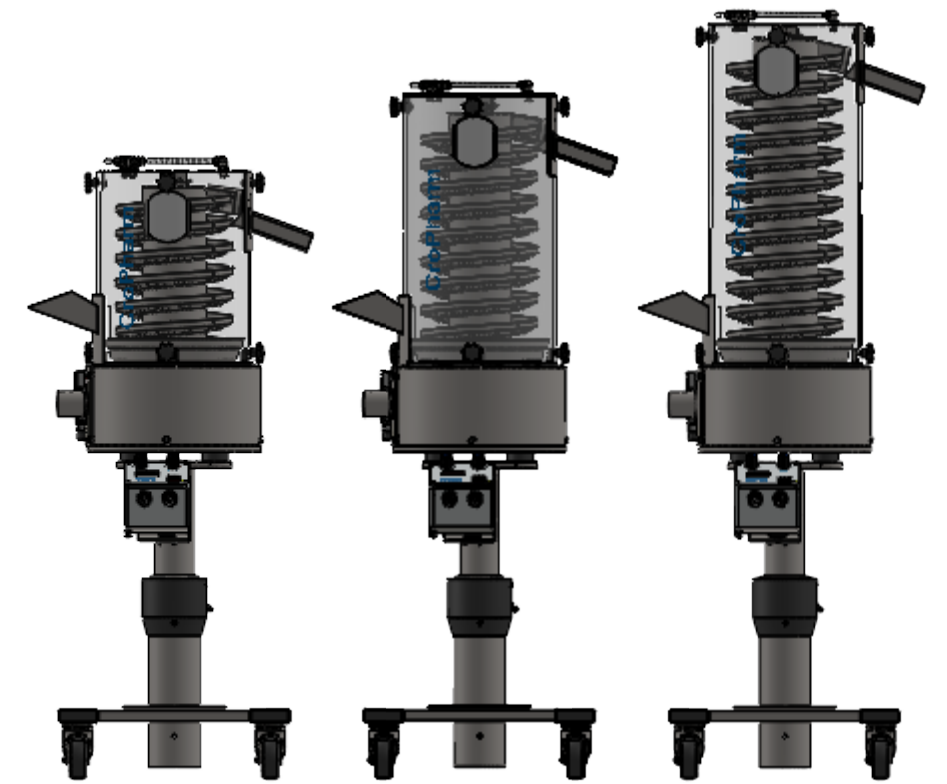
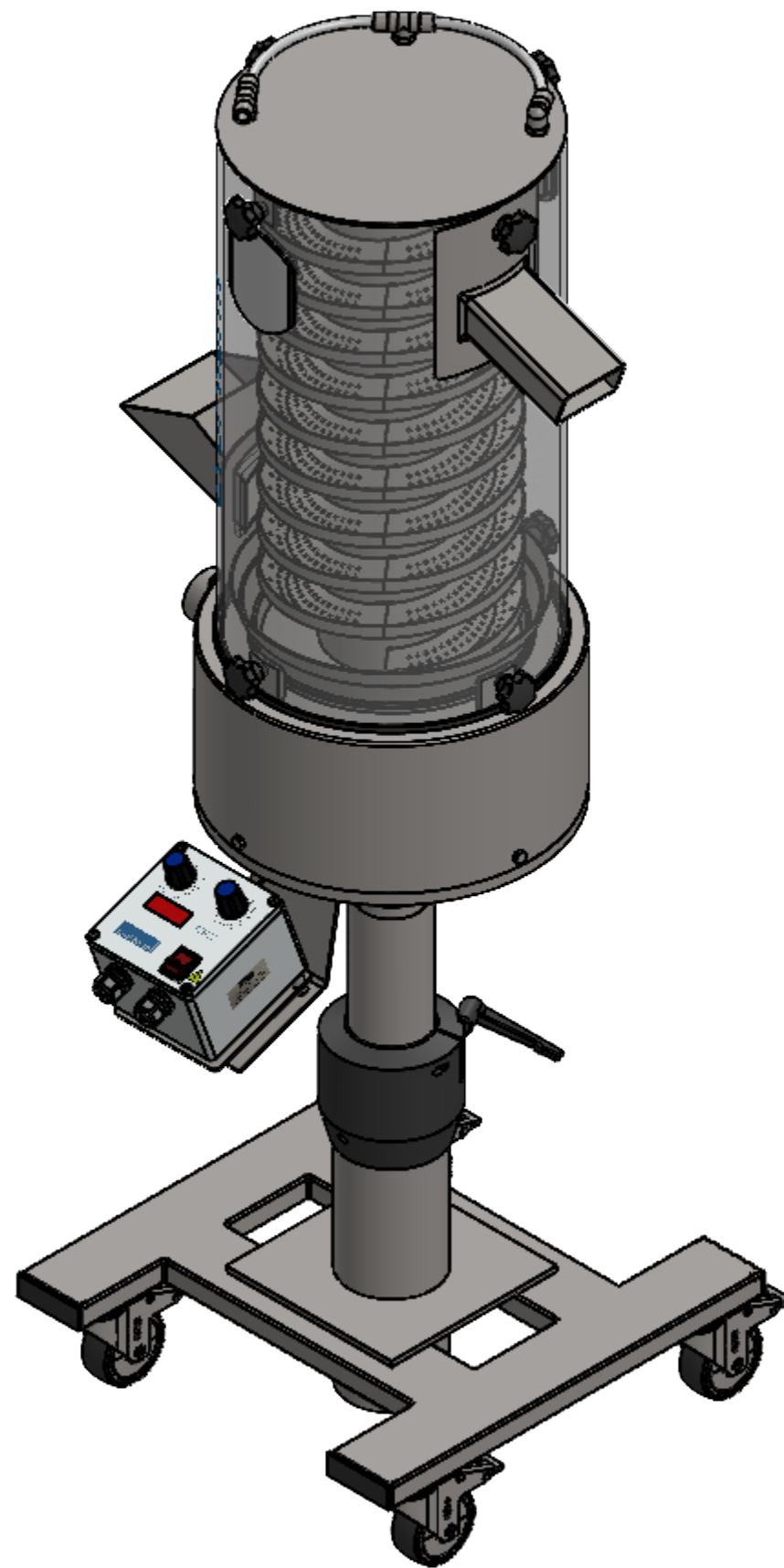
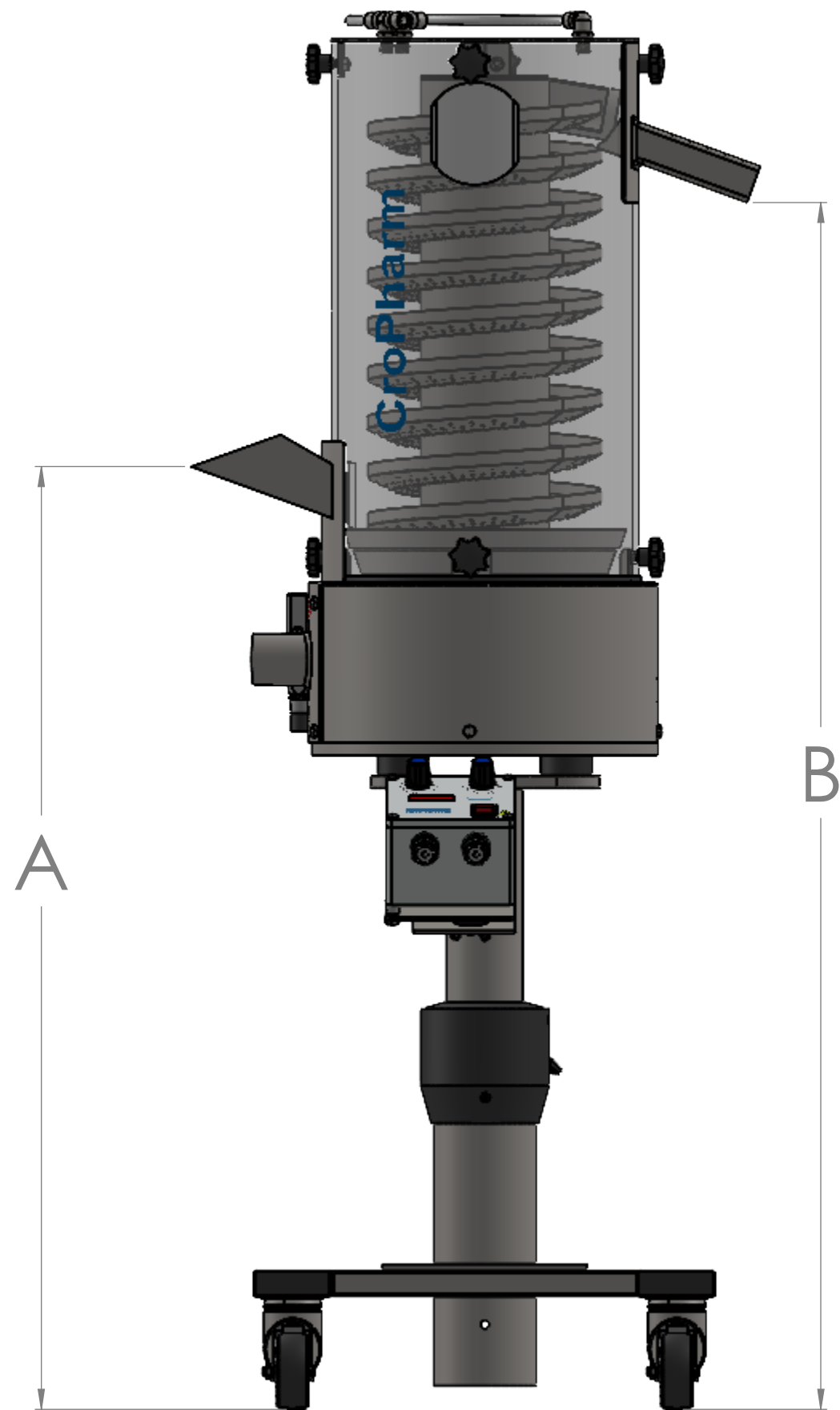
C

B

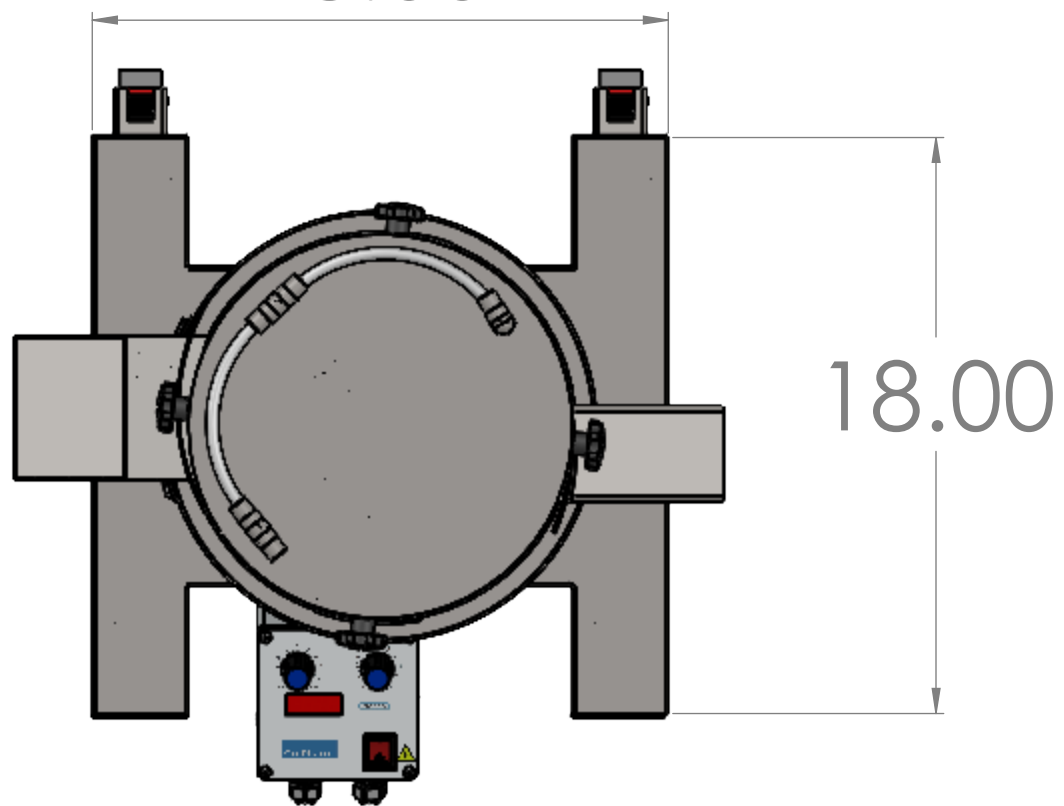
B

A

A

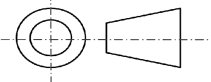


18.00



18.00

Deduster	VDS150-S	VDS150-M	VDS150-T
Inlet Height A (in.)	30-36	30-36	30-36
Outlet Height B (in.)	34-40	40-46	46-52
Footprint	18 x 18	18 x 18	18 x 18

TITLE: VDS150 Series General Dimensions		 Do Not Scale Drawing	
DWG. NO. VDS.150.1	Rev. -	Mach. model: VDS-150	DRAWN AMA
DATE: September 10 2020	Part no. N/A	CHECKED MJA	

UNLESS OTHERWISE SPECIFIED:  
 DIMENSIONS ARE IN INCHES  
 Product Contact Parts: SS316  
 Machine Frame Parts: SS304  
 Viewing Window: Clear Acrylic

**CroPharm**  
 PROPRIETARY AND CONFIDENTIAL  
 THE INFORMATION CONTAINED IN THIS DRAWING IS THE SOLE PROPERTY OF CroPharm INC. ANY REPRODUCTION IN PART OR AS A WHOLE WITHOUT THE WRITTEN PERMISSION OF CroPharm INC IS PROHIBITED.  
[www.cropharm.com](http://www.cropharm.com)

Milford, CT 06460  
 Tel. +1 (203) 877-3859  
 email: sales@cropharm.com

SHEET 1 OF 1      SIZE C      WEIGHT: NA