

8

7

6

5

4

3

2

1

F

F

E

E

D

D

C

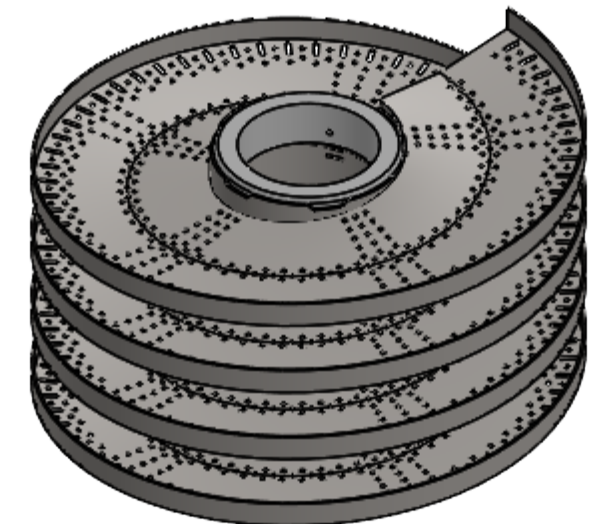
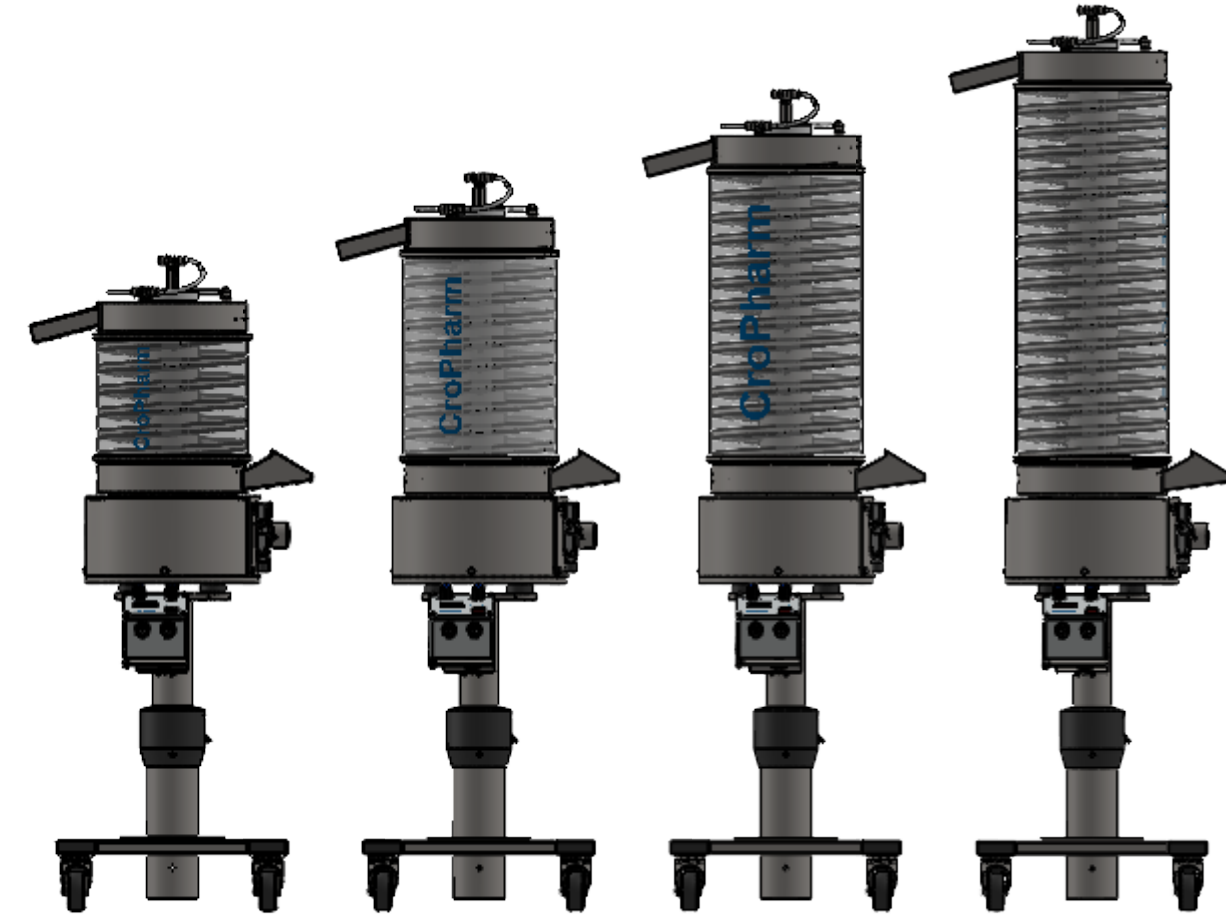
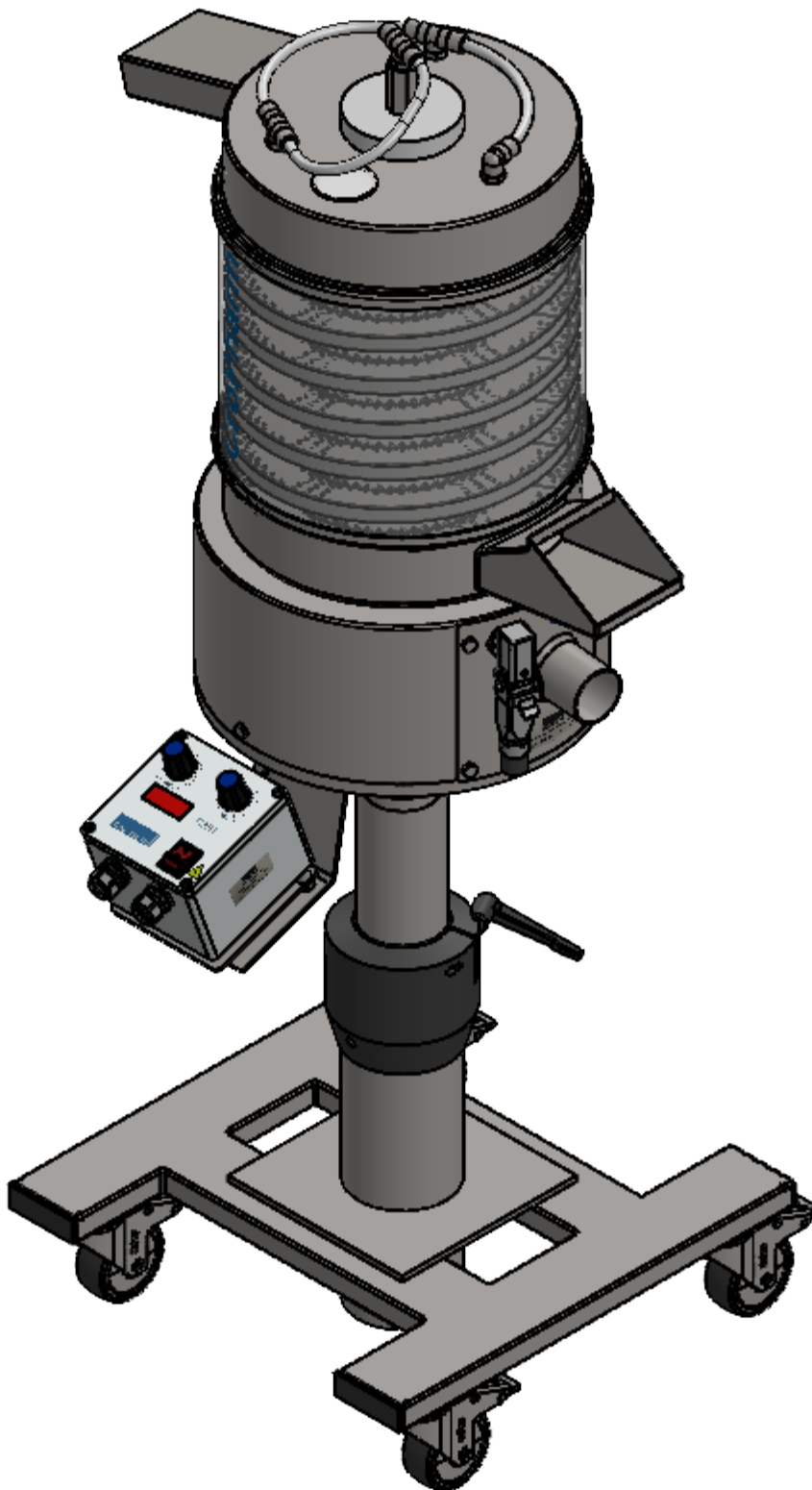
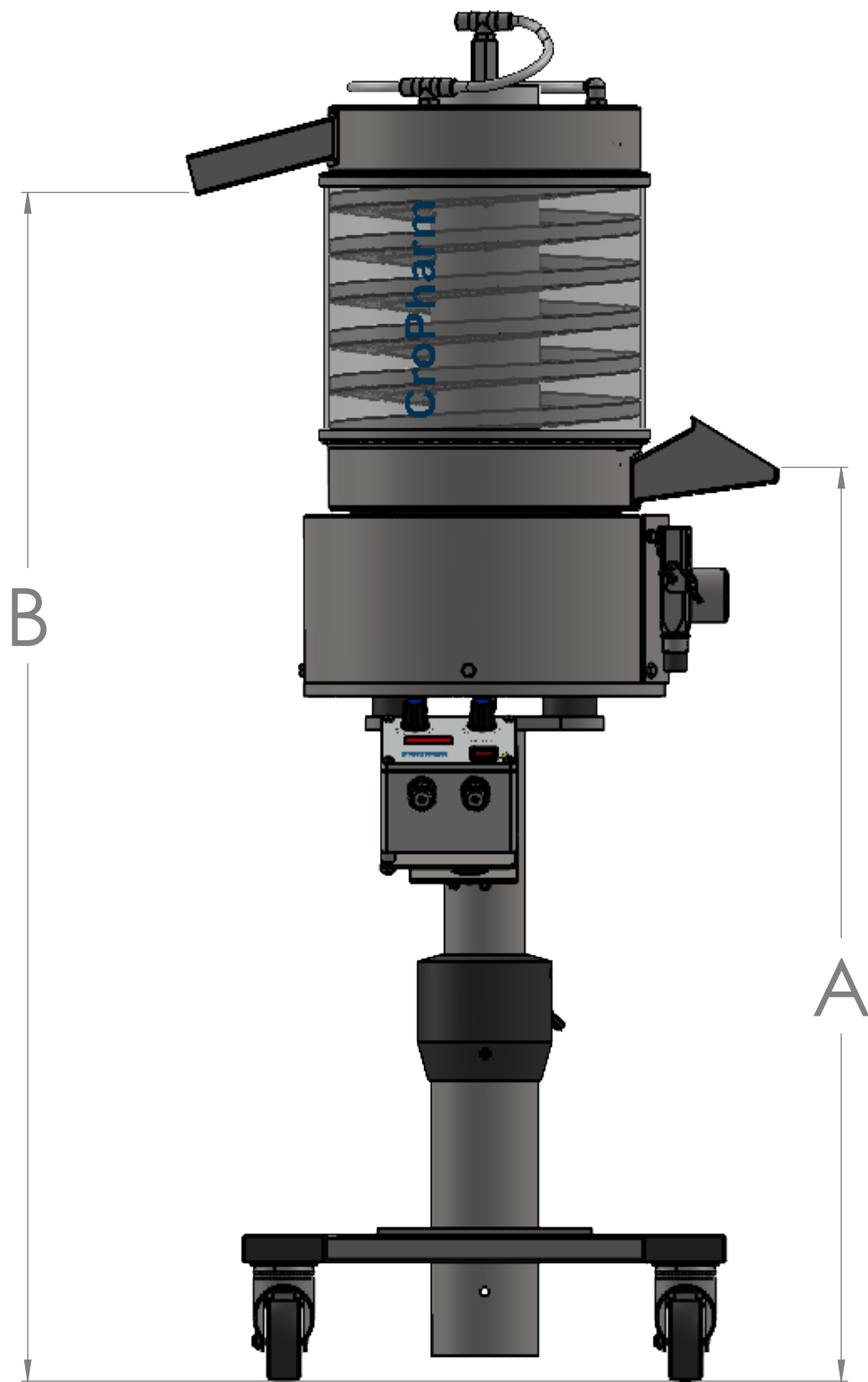
C

B

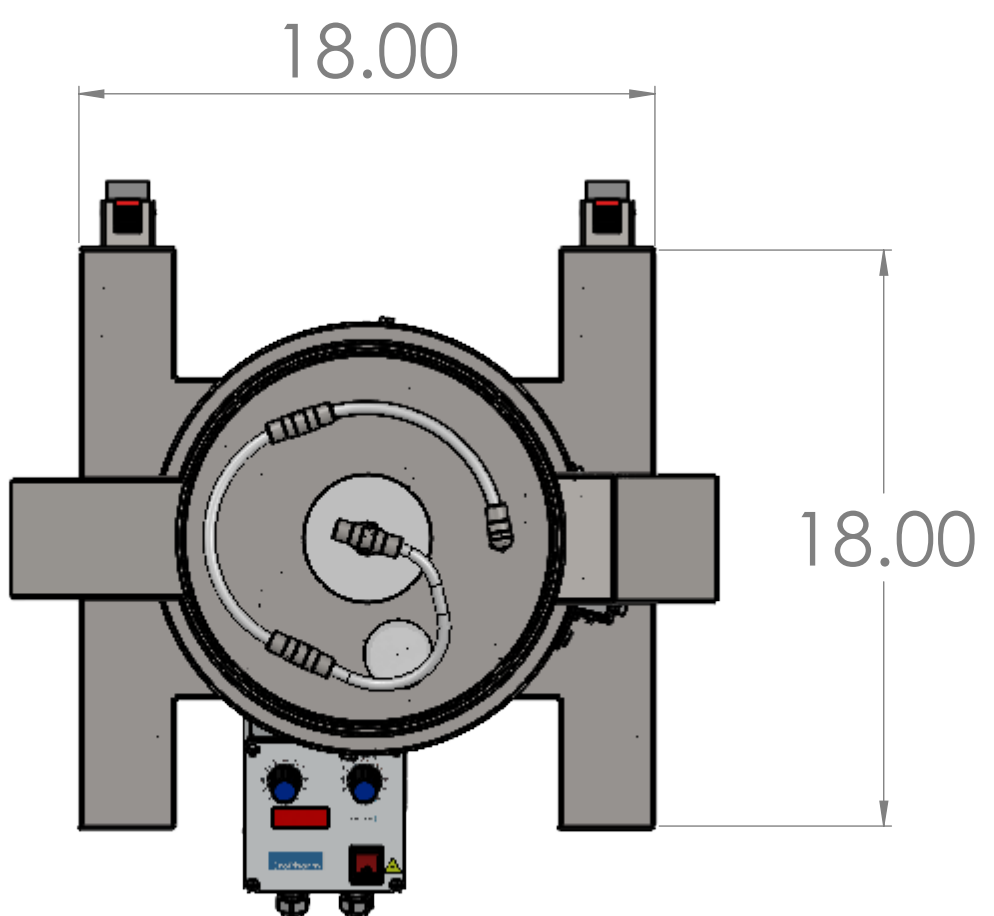
B

A

A



Stackable Elevation Segment



Deduster	VDS200 S	VDS200 M	VDS200 T	VDS200 xT
Inlet Height (A)	29-35	29-35	29-35	29-35
Outlet Height (B)	39-45	45-51	51-57	57-63
Footprint	18 x 18	18 x 18	18 x 18	18 x 18

TITLE: VDS200 Series General Dimensions		Do Not Scale Drawing	
DWG. NO. VDS.200.1	Rev. -	Mach. model: VDS-200 DT	DRAWN AMA
DATE: September 10 2020	Part no. N/A	CHECKED MJA	

UNLESS OTHERWISE SPECIFIED:
 DIMENSIONS ARE IN INCHES
 Product Contact Parts: SS316
 Machine Frame Parts: SS304
 Viewing Window: Clear Acrylic

CroPharm
 PROPRIETARY AND CONFIDENTIAL
 THE INFORMATION CONTAINED IN THIS DRAWING IS THE SOLE PROPERTY OF CroPharm INC. ANY REPRODUCTION IN PART OR AS A WHOLE WITHOUT THE WRITTEN PERMISSION OF CroPharm INC IS PROHIBITED.
www.cropharm.com

Milford, CT 06460
 Tel. +1 (203) 877-3859
 email: sales@cropharm.com

SHEET 1 OF 1 SIZE C WEIGHT: NA

8

7

6

5

4

3

2

1